

KITCHEN



ELIE SAAB

MAISON

KITCHEN



ELIE SAAB

MAISON



Kitchen I
06 - 19

Kitchen II
20 - 31

CONTENT

KITCHEN I

A composition with balanced shapes that enhance the classic taste and the rational spirit typical of Art-Deco. Soft colors, natural and untouched tones, are embellished by details that at first glance are hidden from the gaze.

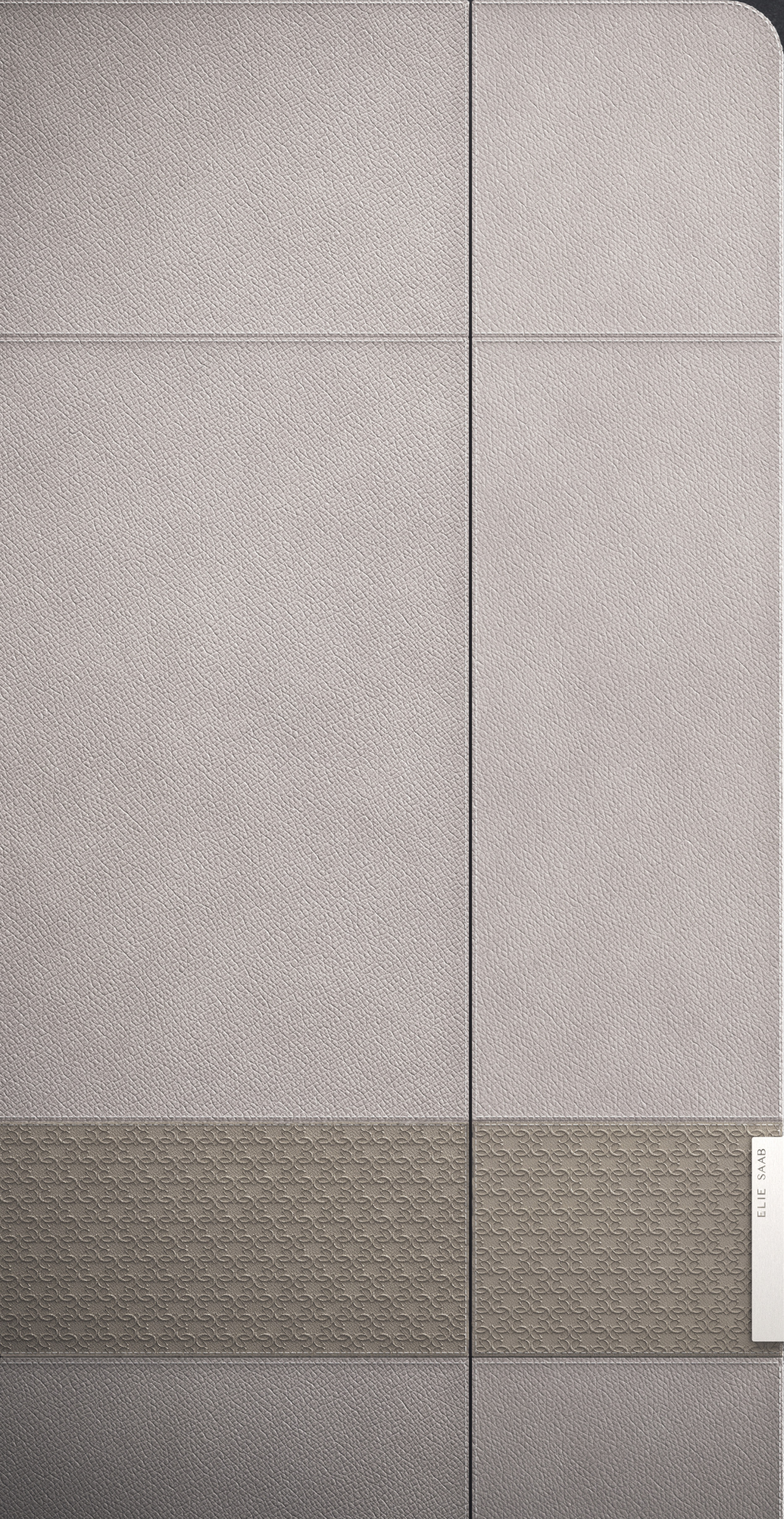








The columns of the composition are characterized by a design that protrude from the structure and by the leather upholstery.



ELIE SAAB









The use of precious materials such as the Calacatta marble, the Palissandro wood and the leather brings out the will of creating an unforgettable design articulated by this eternal and sophisticated composition.

BASE UNITS

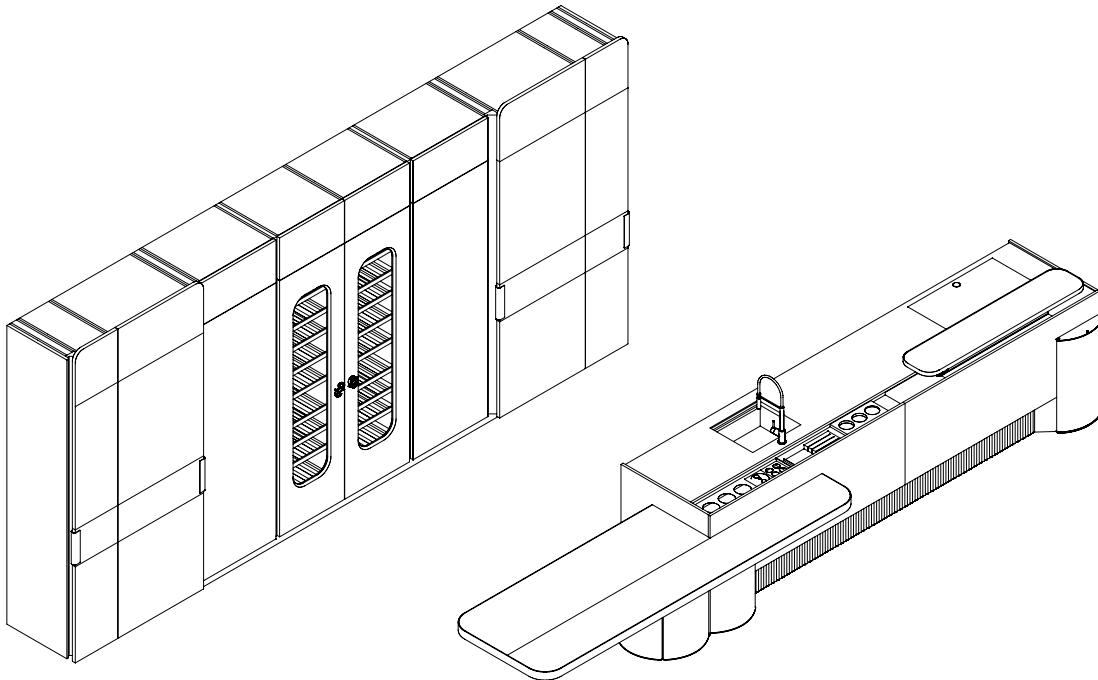
Structures: black technosurface
 Doors: white glossy lacquered
 Front: Calacatta Bettogli marble
 Sides: Calacatta Bettogli marble
 Drawers and pull-out: Walnut wood
 Top: Velvet steel
 Lateral cylinders: pressed leather P-906 with monogram
 Plinth: Steel Titanium lacquered wood
 Snack: Palissandro wood
 Drink shelf: Palissandro wood

CENTRAL TALL UNITS

Structures: technosurface Poro Noce LS47
 Back: enlightened
 Doors: Steel Titanium 02
 Shelves: smoked glass
 Plinths: Steel Titanium 02

OUTER TALL UNITS

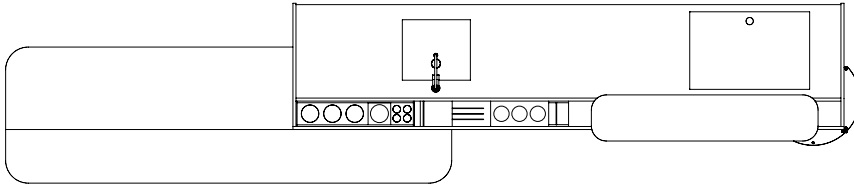
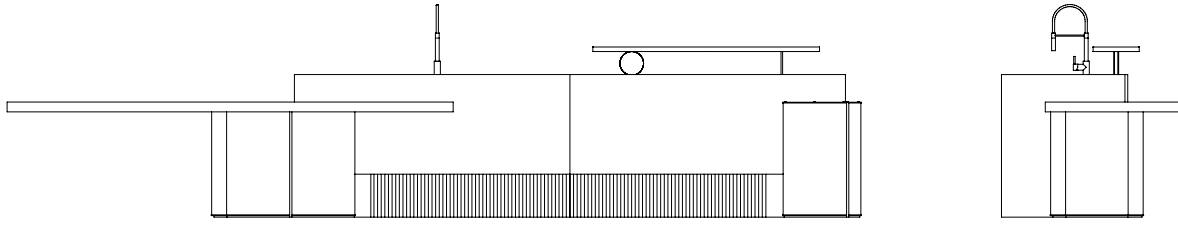
Structures: technosurface Poro Noce LS47
 Doors: protruding and covered in leather P-905 with the central part with pressed leather P-906
 Plinths: Steel Titanium 02



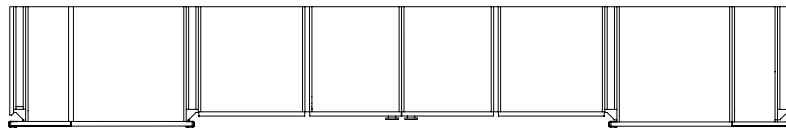
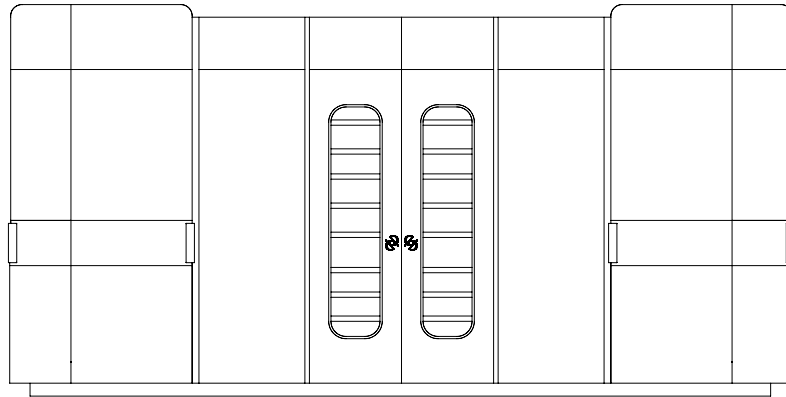
The focus is on the Drink shelf and the table which stand out for the use of a precious material: the Palissandro wood.







A.



B.

A. **BASE UNIT** dim. 3840 x 1100 x 940 mm
B. **COLUMN** dim. 4130 x 2590 x 645 mm

KITCHEN II

A composition that recalls the play of light and dark colours, mysterious nuances that create an enigmatic atmosphere.











A glimpse on the island drawers in Walnut wood, a warm touch to enlighten the composition. Inside, the pressed leather with the monogram covers the drawer base creating a sophisticated and unique design.

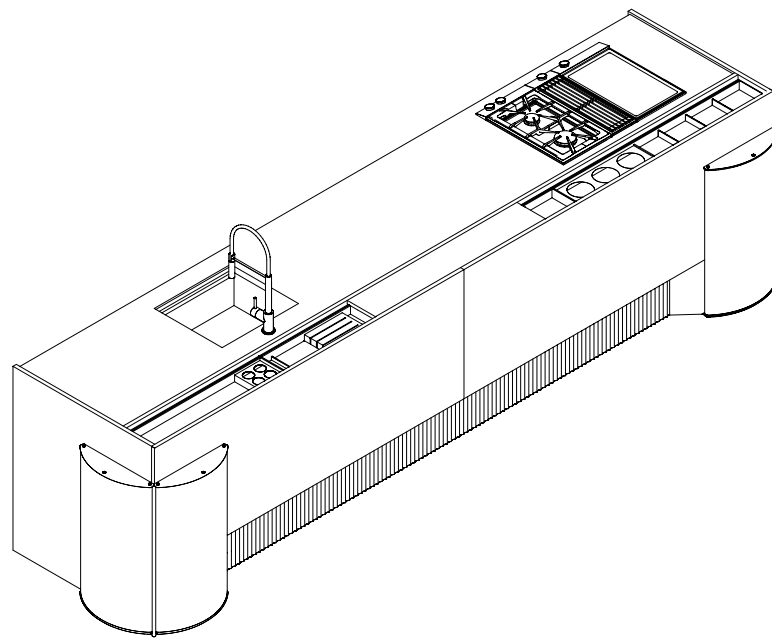




BASE UNITS

Structures: Walnut wood
Doors: Lacquer Steel Titanium 03
Top: Velvet steel
Front: Austral Black marble
Sides: Austral Black marble
Drawers and pull-out: Walnut wood

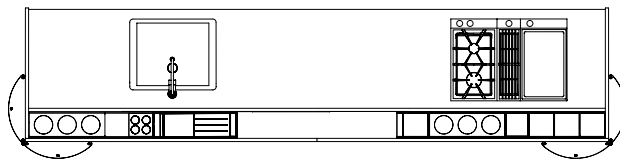
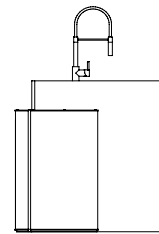
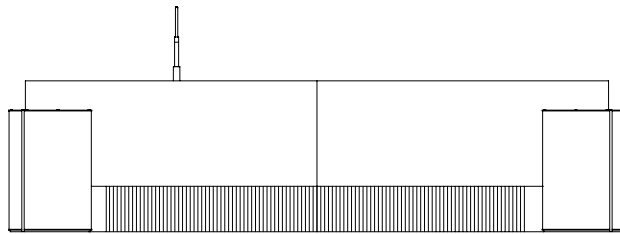
Top: Velvet steel
Lateral cylinders: pressed leather
P-907 with monogram
Plinth: Steel Titanium lacquered
wood



A detail of the equipped back section on the top with a knife tray, spice rack and jar holder.







A.

A. BASE UNIT dim. 3870 x 950 x 940 mm

Art Director
Carlo Colombo

Collection Design by Ballabeni&Catellani Studio
Graphic & Rendering: Andrea Cardelli Studio
Styling & Copywriting: Communication Dept. SCIC

Thanks to: Antolini, Gaggenau, Newform.

ELIESAAB MAISON / SCIC reserves the rights to apply modifications for the
functional or qualitative improvement of its products.

Texts and drawings present in this brochure have a divulgative purpose: for every
technical and dimensional aspect please refer to the company's
price lists and their relative updating.

CREDITS



ELIE SAAB

MAISON